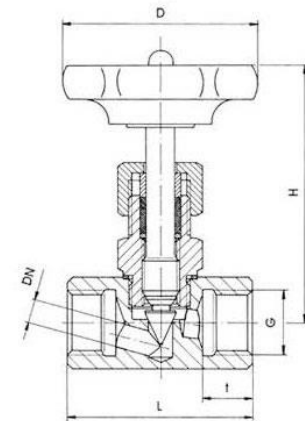


Material	Stainless steel 1.4571
Sealant	PTFE
Wheel	Plastic
Operating pressure	max. 400 bar (at 20 °C) max. 250 bar (G 1 at 20 °C)
Operating temperature	-20 °C to 120 °C



Needle valves, stainless steel							
Art. No.	Ident No.	Thread	DN	D mm	H mm	L mm	t mm
240.81 ES	103768	G 1/8	4	50.0	74.0	50.0	10.0
240.82 ES	103769	G 1/4	5	50.0	73.0	50.0	13.0
240.83 ES	103770	G 3/8	6	50.0	72.0	55.0	14.0
240.84 ES	103771	G 1/2	8	63.0	83.0	60.0	16.0
240.85 ES	103772	G 3/4	10	63.0	100.0	75.0	18.0
240.86 ES	103773	G 1	12	80.0	110.0	100.0	22.0

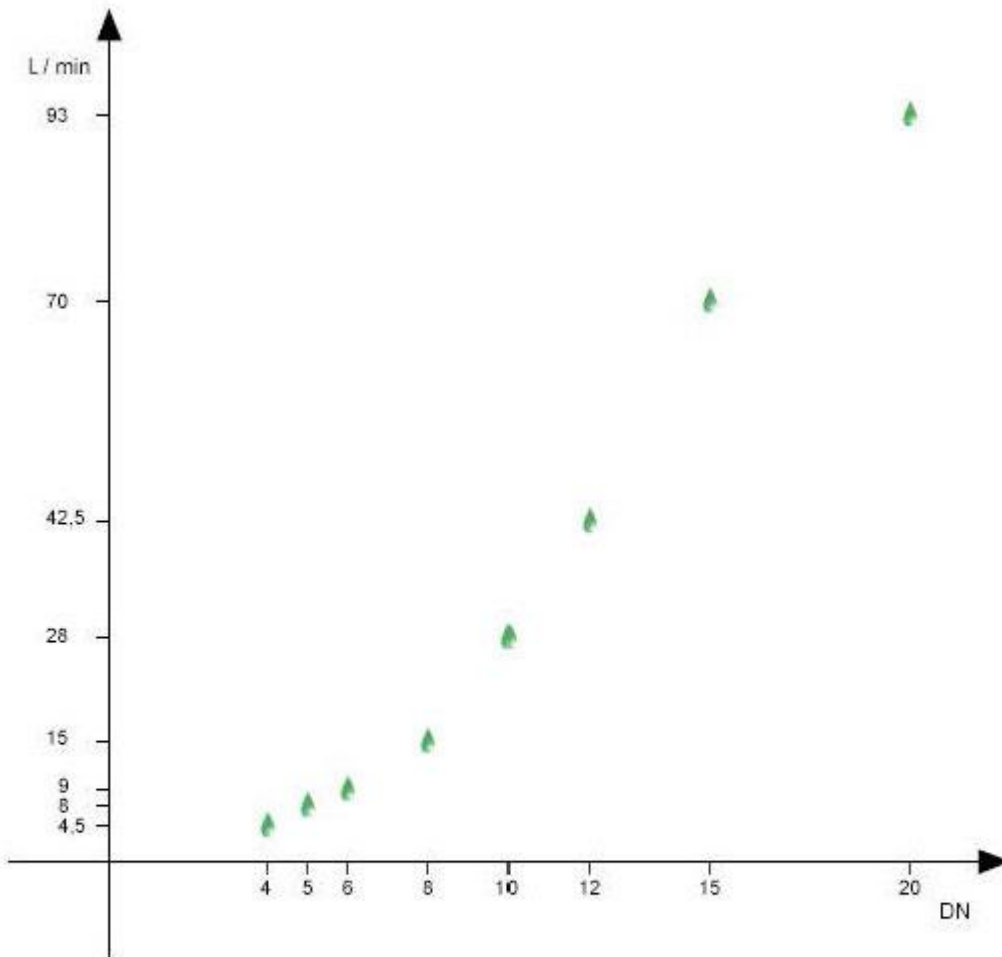


240.84 ES

Designation of the parts		
Position	Designation	Material
1	Housing	1.4571
2	Sealing	1.4571
3	Upper component	1.4571
4	Stem	1.4571
5	Bottom ring	1.4571
6	Packing	PTFE
7	Packed valve	1.4571
8	Union nut	1.4301
9	Wheel	Plastic
10	Female nut thread	1.4571
11	Grommet	1.4571



Pressure reduction	
Temperature	Pressure reduction
-50 °C to +20 °C	0 %
+50 °C	5.5 %
+100 °C	15 %
120 °C	20 %



Flow characteristics – water

Pressure (p) constant 1 bar / max. opening

g